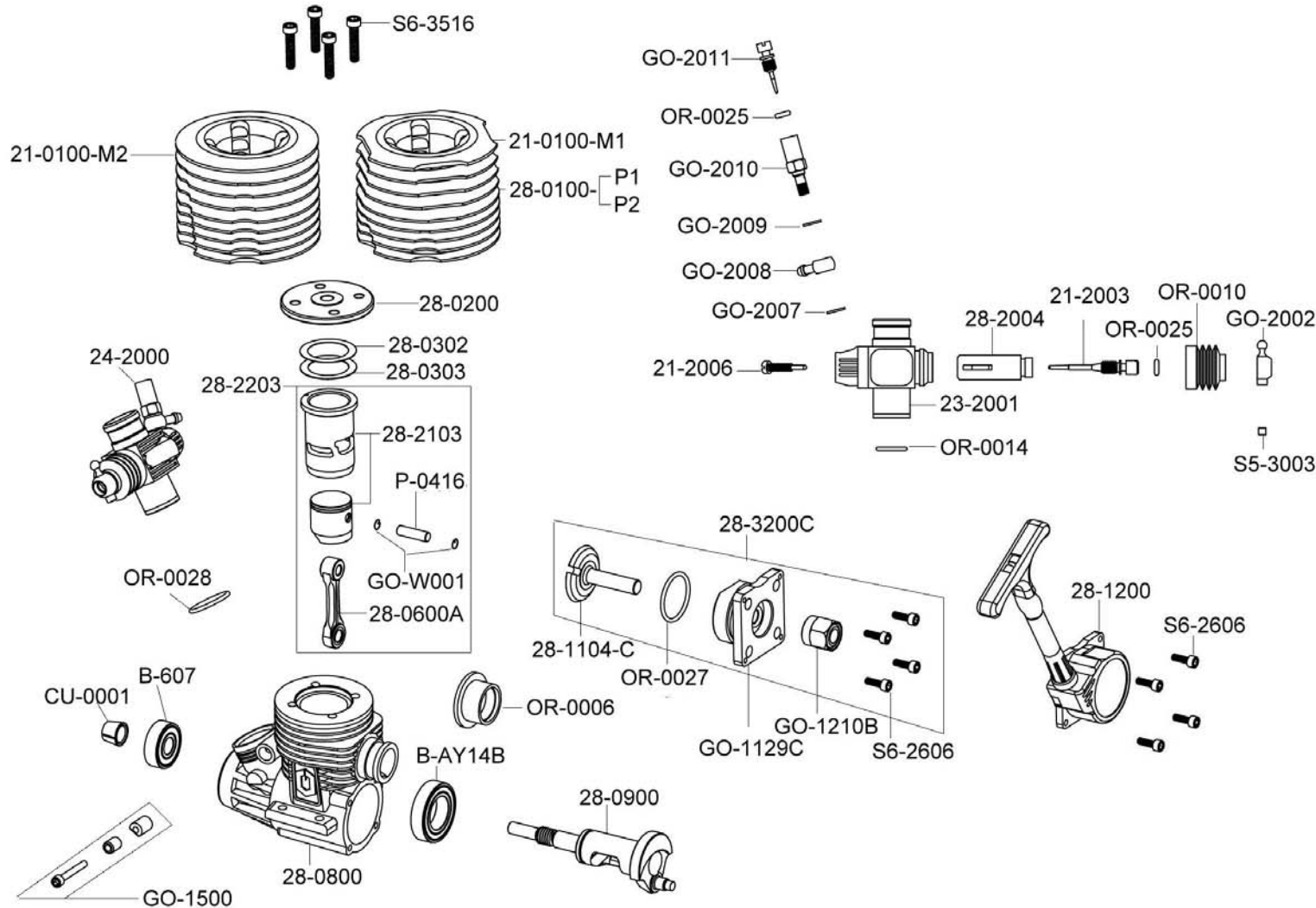




GO ENGINE CO.,LTD.

28R EXPLODED VIEW&PARTS LIST



ITEM NO	DESCRIPTION
21-0100-M1	Cylinder Head Mold Blue
21-0100-M2	Cylinder Head Mold Black
28-0100-P1	Cylinder Head CNC Blue
28-0100-P2	Cylinder Head CNC Black
21-2003	Throttle Needle (Slide)
21-2006	Throttle Stop Adjustment Screw
23-2001	Carburetor Main Body (Slide)
24-2000	Carburetor Complete Set (Slide)
28-0200	28 Burn Room
28-0303	28 Burn Room Washer (0.3mm)
28-0302	28 Burn Room Washer (0.2mm)
28-0800	28 Crankcase Main Body
28-2103	28 Cylinder Sleeve Piston Set 3p
28-2203	28 Cylinder Complete Set 3p
28-0600A	Connecting Rod For 21.25.28
28-0900	Crankshaft 14mm8.8 (SG)
28-1104-C	"T" Axle
28-1200	Pull Start Complete Set
28-2004	Throttle (Slide)
28-3200C	"T" Start Axle Set 21.25.28
GO-1129C	"T" Axle Connective Set
GO-1210B	One Way Shaft
GO-1500	Carburetor Setting Pin
GO-2002	Throttle Screw Cap
GO-2007	Fuel Supply Washer 7.5x4
GO-2008	Fuel Supply Nipple
GO-2009	Fuel Supply Washer Aluminum 7.5x5
GO-2010	Main Needle Seat
GO-2011	Main Needle
GO-W001	"G" Ping Snap Ring 2pcs/set
OR-0006	Rubber Adaptor For 21.25.28
OR-0010	Throttle Boot For 21.25.28
OR-0014	"O" Ring 10x1.3
OR-0025	"O" Ring 2.9x1.78
OR-0027	"O" Ring AS-018
OR-0028	"O" Ring 15.2x1.5
CU-0001	Brass Cone
S6-2606	Screw M 2.6x6 4pcs
S5-3003	Screw M 3x3
S6-3516	Screw M3.5x16 4pcs
B-AY14B	Rear Bearing 14mm
B-607	Front Bearing 7mm
P-0416	Piston Gudgeon Pin 4x15.55